



| | | | | |
|--|------------|---------|----------|------------------|
| Product designation | | | | MINIATURE RELAYS |
| Product type designation | | | | HR502C |
| Contact characteristics | | | | |
| Contact configuration | | | | 2 C/O |
| Rated insulation voltage U_i IEC/EN | V | | | 250 |
| Rated impulse withstand voltage U_{imp} | kV | | | 6 |
| IEC Conventional free air thermal current I_{th} | A | | | 8 |
| Maximum instantaneous current | A | | | 10 |
| Rated current (I_n) | A | | | 8 |
| Relay control voltage | V | | | 110VDC |
| Max contrrollable power in | AC-1 | W | 2000 | |
| | AC-15 | VA | 150 | |
| Rated operating power AC-1 | | | VA | 2000 |
| | 230 VAC | VA | 150 | |
| Rated operating current DC-1 | 30V | A | 8 | |
| | 110V | A | 0.3 | |
| | 220V | A | 0.1 | |
| Minimum switching load | V / mA | | | 5 / 100 |
| Contact impedance | m Ω | | | 100 |
| Contact material | | | | Ag/Ni |
| Operating times | | | | |
| Closing | | | ms | <15 |
| Opening | | | ms | <15 |
| Operations | | | | |
| Mechanical life | | | cycles | 10000000 |
| Electrical life AC1 | | | cycles | 50000 |
| Coil characteristics | | | | |
| Average coil consumption AC at 20°C | | | VA | 1 |
| Average coil consumption DC at 20°C | | | W | 0.4 |
| Operating range | Closing | % U_n | 75...110 | |
| | Opening | % U_n | 10...30 | |
| Maximum cycle frequency | | | cycles/h | 3600 |
| Mechanical features | | | | |
| Max socket terminal tightening torque | | | Nm | 0.6 |
| Socket screw tightening tool (cross / flat blade) | | | | PH1 / 4.5mm |
| Conductor section | AWG/Kcmil | | | |
| | | | min | 20 |
| | | max | 14 | |

IEC

| | | |
|-----|-----------------|-----|
| min | mm ² | 0.5 |
| max | mm ² | 2.5 |

Operating position

| | |
|--------|-----|
| normal | Any |
|--------|-----|

Fixing

On 35mm DIN rail and with screw

Ambient conditions

Temperature

Operating temperature

| | | |
|-----|----|-----|
| min | °C | -40 |
| max | °C | +70 |

Storage temperature

| | | |
|-----|----|-----|
| min | °C | -40 |
| max | °C | +85 |

Other features

Indication

Yes

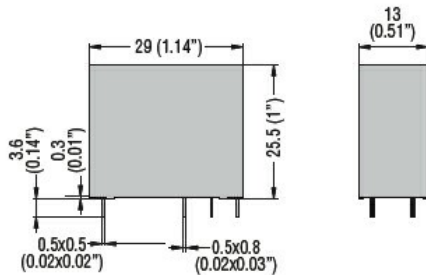
Mechanical contact position indicator

Yes

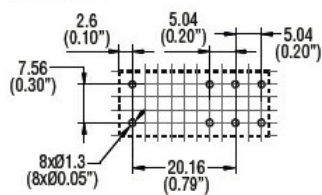
Mechanical test actuator

Yes

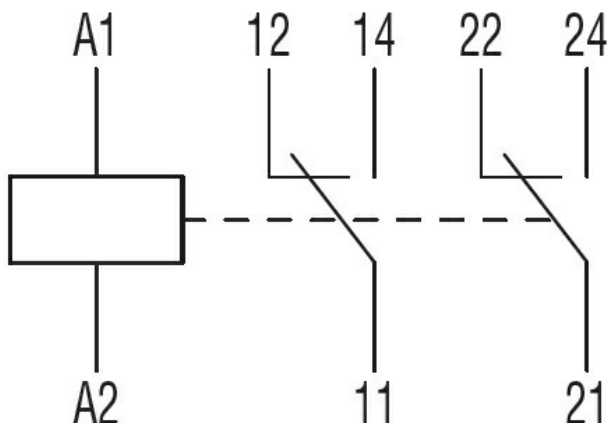
Dimensions [mm (in)]



PCB layout



Wiring diagrams



Certifications and compliance

Compliance

IEC/EN 61810

Certificates

CSA

cURus

EAC

VDE

ETIM classification

ETIM 8.0

EC001437 -
Switching relay